



## ProCore<sup>®</sup> SR54-S Aerator

Model No. 09922 - 290000001 and up.

### Parts Catalog

---

#### Ordering Replacement Parts

To order replacement parts, please supply the part number, the quantity, and the description of each part desired.

#### Understanding Reference Numbers

Each identified part in an illustration has a reference number. The reference number for a part also appears in the parts list, along with other information about the part.

This catalog uses two special reference number formats, one to indicate parts in a service assembly and another to indicate the quantity of a given part in an illustration.

#### Service Assembly Reference Numbers

Parts in service assemblies have reference numbers in the form a:b. The a represents the reference number of the entire service assembly and the b represents a sequential number unique to each part within the service assembly.

For example, a wheel assembly might be identified by reference number 6, the tire by 6:1, the valve by 6:2, and the wheel by 6:3. When you order the assembly identified by reference number 6, you receive all parts identified by reference numbers 6:1, 6:2, and 6:3. However, you may also order any part individually. Reference numbers of this type appear in illustrations and in part lists.

#### Reference Numbers Indicating Quantity

In an illustration, if a reference number indicates more than one part, the reference number has the form nX y. The n represents the quantity of the part, the X is the multiplication symbol, and the y represents the reference number.

For example, in an illustration, the reference number 2X 37 means that two of the parts identified by reference number 37 are indicated.

# Contents

Description	Page	Description	Page
Drive Assembly	..... 3	Idler Assembly	..... 8
Frame and Roller Assembly	..... 4	Connecting Rod Assembly	..... 9
LH Crankshaft Assembly	..... 5	Hinge Assembly	..... 10
Center Crankshaft Assembly	..... 6	Linkage Arm Assembly	..... 11
RH Crankshaft Assembly	..... 7	Head and Spring Assembly	..... 12
		Cover Assembly	..... 13

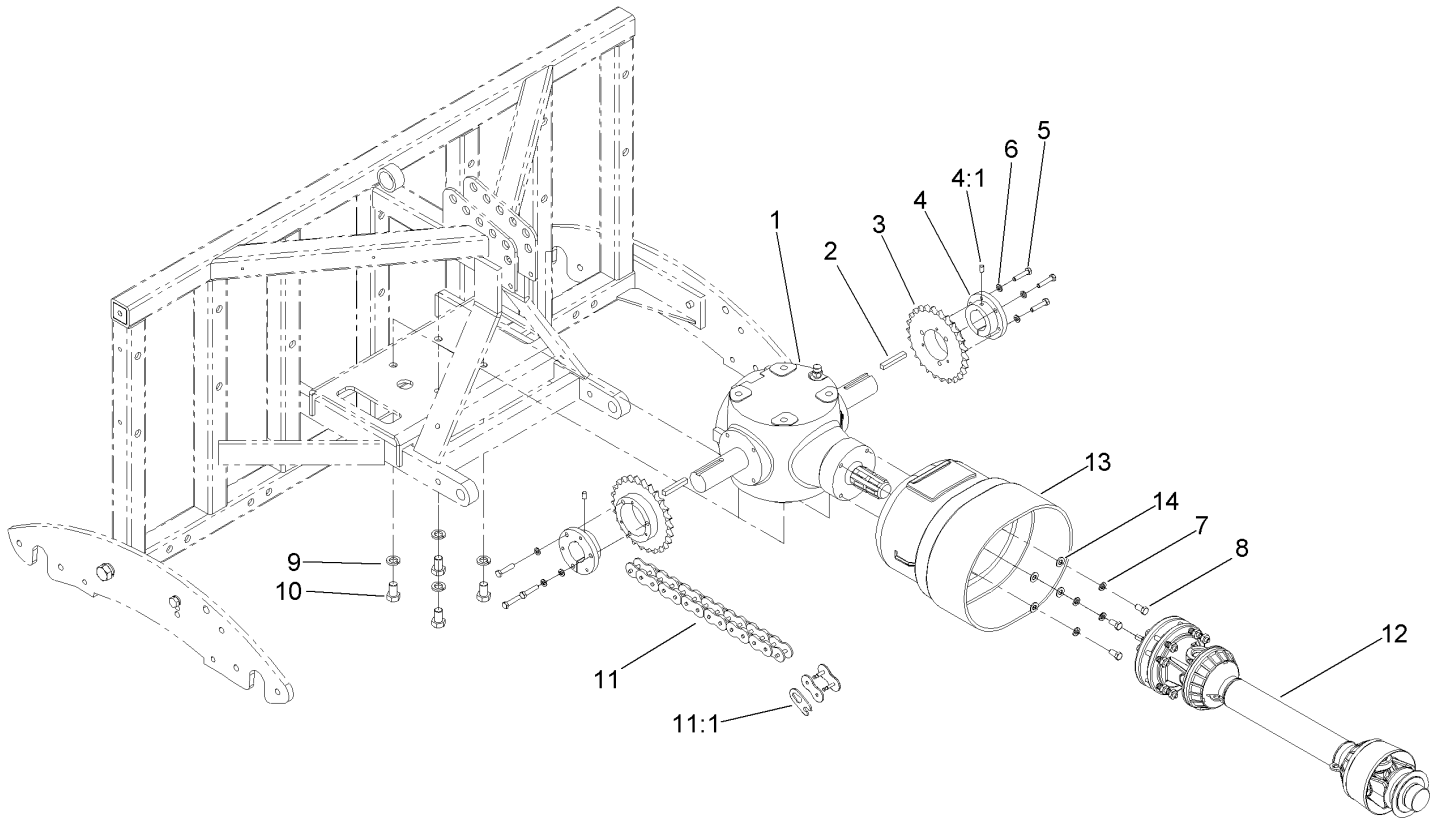
## Part Description Abbreviations

Part descriptions in this catalog may include the following abbreviations.

AR. .... as required	HWHTF. .... hex washer head thread forming
ASM. .... assembly	HYD. .... hydraulic
BBC. .... blade brake clutch	LH. .... left hand
CARR. .... carriage	NI. .... nylon insert
CCW. .... counter clock wise	NPTF. .... national pipe thread fine
CW. .... clockwise	PFH. .... phillips flat head
DEG. .... degrees	PPH. .... phillips pan head
ECM. .... electronic control module	PPHTF. .... phillips pan head thread forming
EXT. .... external	PRH. .... phillips round head
FH. .... flat head	PTH. .... phillips truss head
GA. .... gauge	PTO. .... power-take-off
HD. .... heavy-duty	RH. .... right hand
HF. .... hex flange	ROPS. .... roll-over protection system
HH. .... hex head	SFH. .... slotted fillister head
HHF. .... hex head flange	SHH. .... slotted hex head
HHFTF. .... hex head flange thread forming	SHWH. .... slotted hex washer head
HJ. .... hex jam	SPH. .... slotted pan head
HLH. .... hex lag head	SQH. .... square head
HOC. .... height-of-cut	SRH. .... slotted round head
HSBH. .... hex socket button head	STD. .... standard
HSFH. .... hex socket flat head	TAP. .... self tapping
HSH. .... hex socket head	TTH. .... torx truss head
HWH. .... hex washer head	

## Footnotes

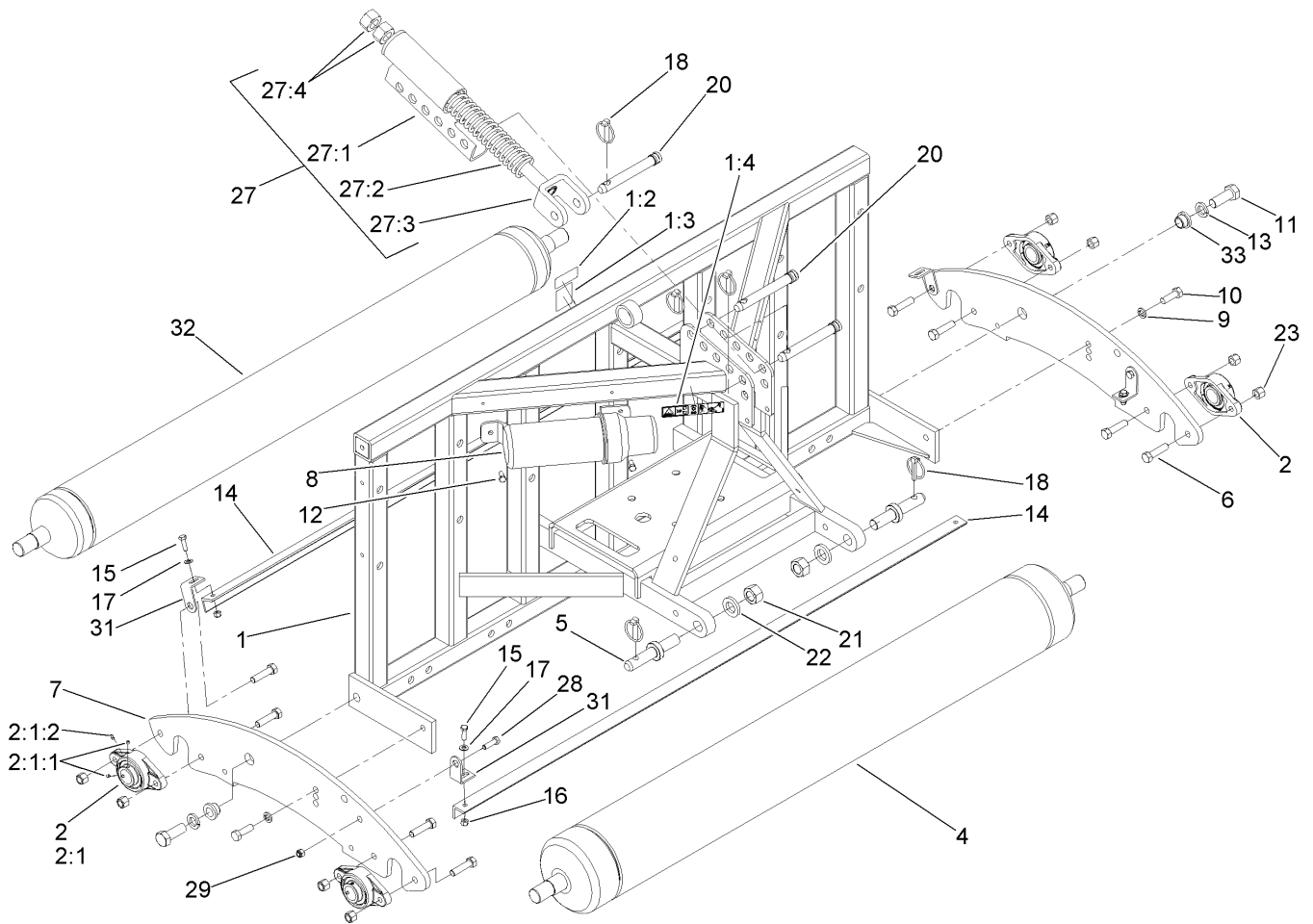
- ❶ Not serviced separately



### Drive Assembly

Ref	Part No.	Qty.	Description
1	SG507000-03	1	Gearbox
2	80-6140	2	Key-Square
3	SG517026	2	Gearbox-Sprocket
4	SG527054	2	Sprocket-Hub
4:1	3246-4	1	Screw-Set
5	5-1470	6	Capscrew
6	3253-4	6	Washer-Lock
7	3253-21	4	Washer-Lock
8	323-4	4	Screw-HH
9	3253-8	4	Washer-Lock
10	327-2	4	Screw-HH
11	SG580154	2	Chain-60 H, O-Ring
11:1	SG581083	1	Link-Master
12	SG528004	1	Shaft-PTO
13	SG4170401	1	Cone-Shaft
14	3256-24	4	Washer-Flat

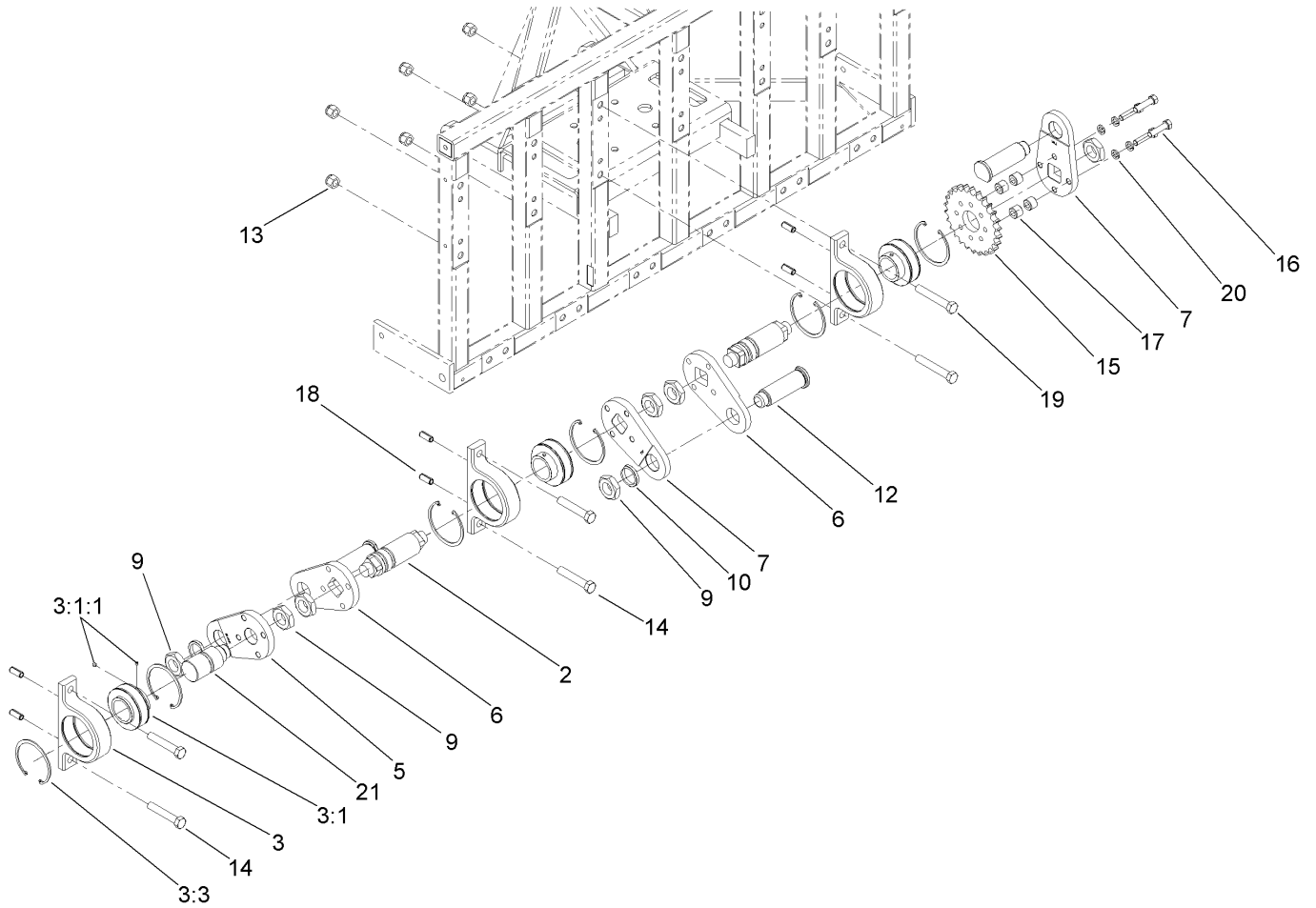
--	--	--	--



## Frame and Roller Assembly

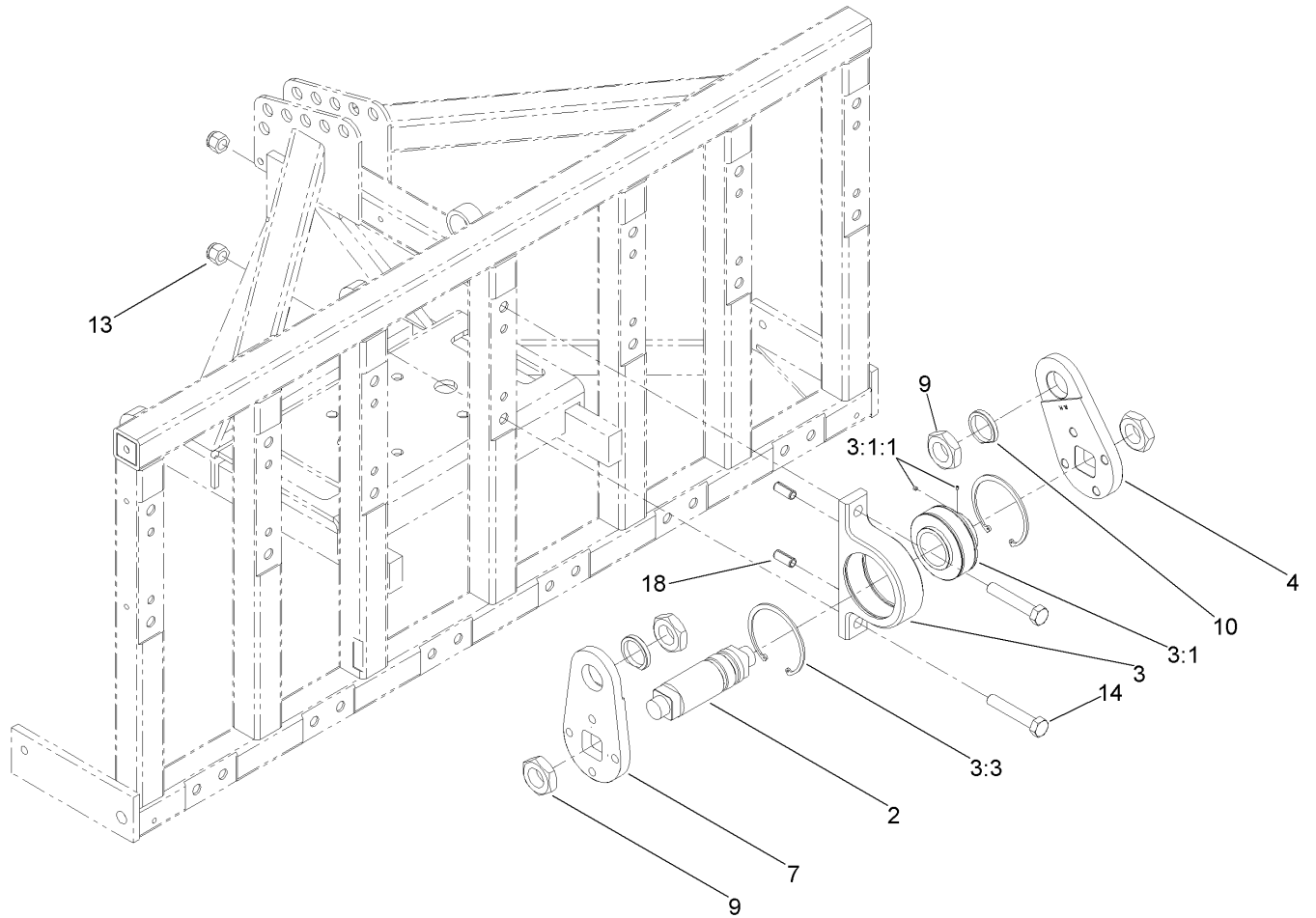
Ref	Part No.	Qty.	Description
1	117-7061	1	Frame ASM
1:2	117-7052	1	Decal-No Oil
1:3	100-3612	1	Decal-Warning
1:4	110-4668	1	Decal-Warning, PTO
2	SG637070-03	4	Bearing-Roller
2:1		1	Bearing-Flange
2:1:1	3245-35	2	Screw-Set
2:1:2	302-19	1	Fitting-Grease
4	SG627054-03	1	Roller-Main
5	110-4314	2	Pin-Link, Cat 2
5	110-4315	2	Pin-Link, Cat 1
6	SG271517	8	Screw-HH
7	SG639070-01	2	Boot-Roller, Double
8	SG999018	1	Canister-Manual, Operators
9	3253-7	2	Washer-Lock
10	325-6	2	Screw-HH
11	328-24	2	Screw-HH
12	322-3	2	Screw-HH
13	3253-9	2	Washer-Lock
14	SG678917-03	2	Bar-Scraper
15	322-5	4	Screw-HH

Ref	Part No.	Qty.	Description
16	3296-29	4	Nut-Lock, NI
17	3256-23	4	Washer-Flat
18	100-5389	5	Pin-Lynch
20	SG715450	3	Pin-Link, Top
21	3219-18	2	Nut-Hex
22	104-8322	2	Washer-Hardened
23	3296-23	8	Nut-Lock, NI
27	SG115070	1	Top Link Spring ASM
27:1	117-7137-03	1	Link-Adapter, Top Wa
27:2	SG330080-03	1	Spring-Top Link
27:3	117-7136-03	1	Bracket-Spring Rod Wa
27:4	SG330081	2	Nut-Hex
28	323-7	2	Screw-HH
29	3296-39	2	Nut-Lock, NI
31	119-0955-03	4	Clip-Scraper
32	SG627050-03	1	Roller-Back, 5 Inch
33	SG639073	2	Bushing-Flange



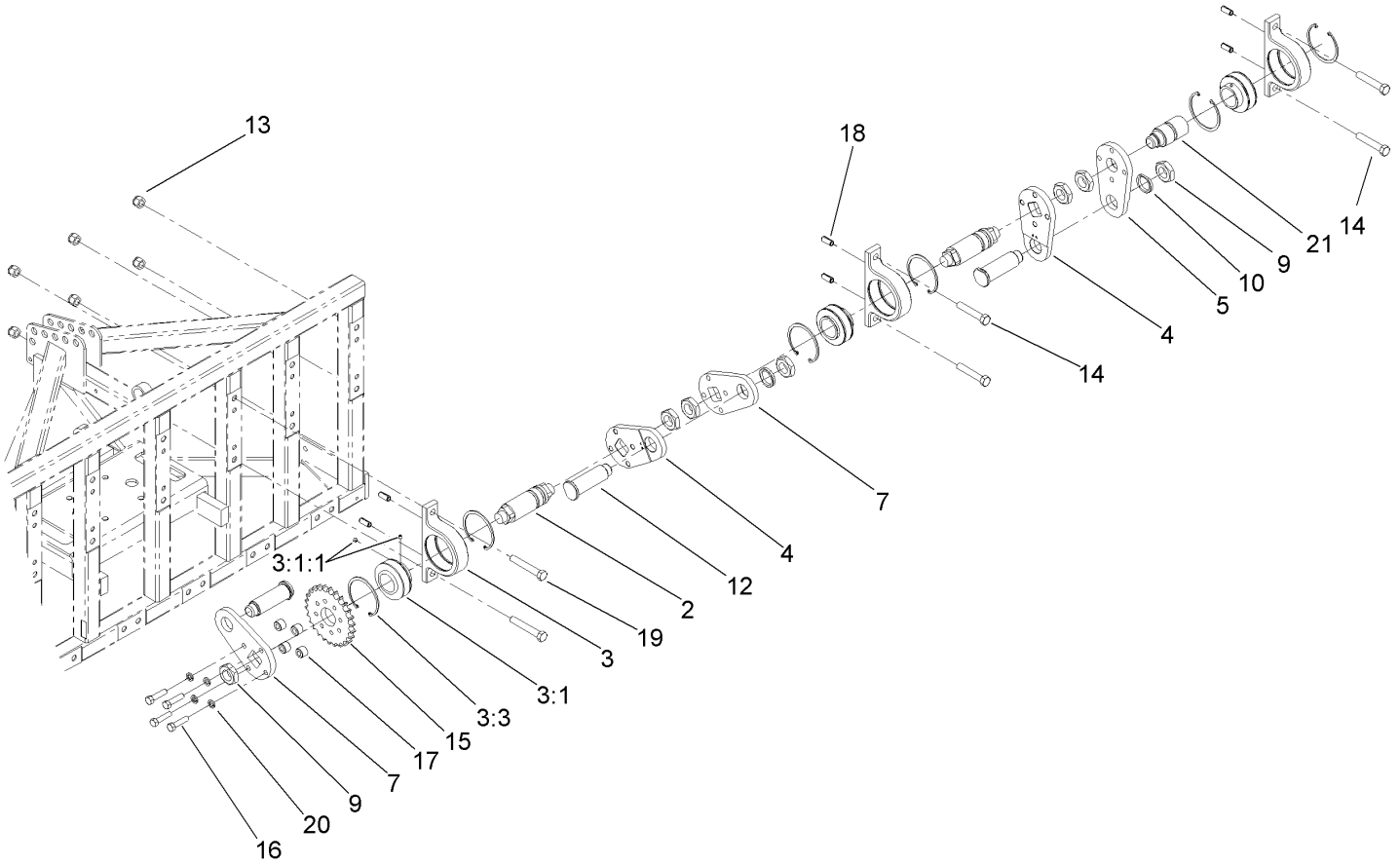
## LH Crankshaft Assembly

Ref	Part No.	Qty.	Description
2	SG217354	2	Crankshaft
3	SG204577	3	Bearing ASM
① 3:1		1	Bearing-Ball
3:1:1	99-0195	2	Screw-Set, HSH
3:3	SG427540	2	Ring-Snap
5	SG207054	1	Arm-Crank
6	SG217254	2	Arm-Crank, Left
7	SG217054	2	Arm-Crank
9	SG267200	7	Nut-Hex
10	SG247540	2	Washer-Clipped
12	SG257054	3	Pin-Crank
13	3296-53	6	Nut-Lock, NI
14	327-14	4	Screw-HH
15	SG217026	1	Sprocket-Crank
16	SG271517	4	Screw-HH
17	SG267500	4	Spacer
18	105-1041	6	Pin-Spring
19	327-16	2	Screw-HH
20	3253-7	4	Washer-Lock
21	SG217557	1	Shaft-Stub, Outside



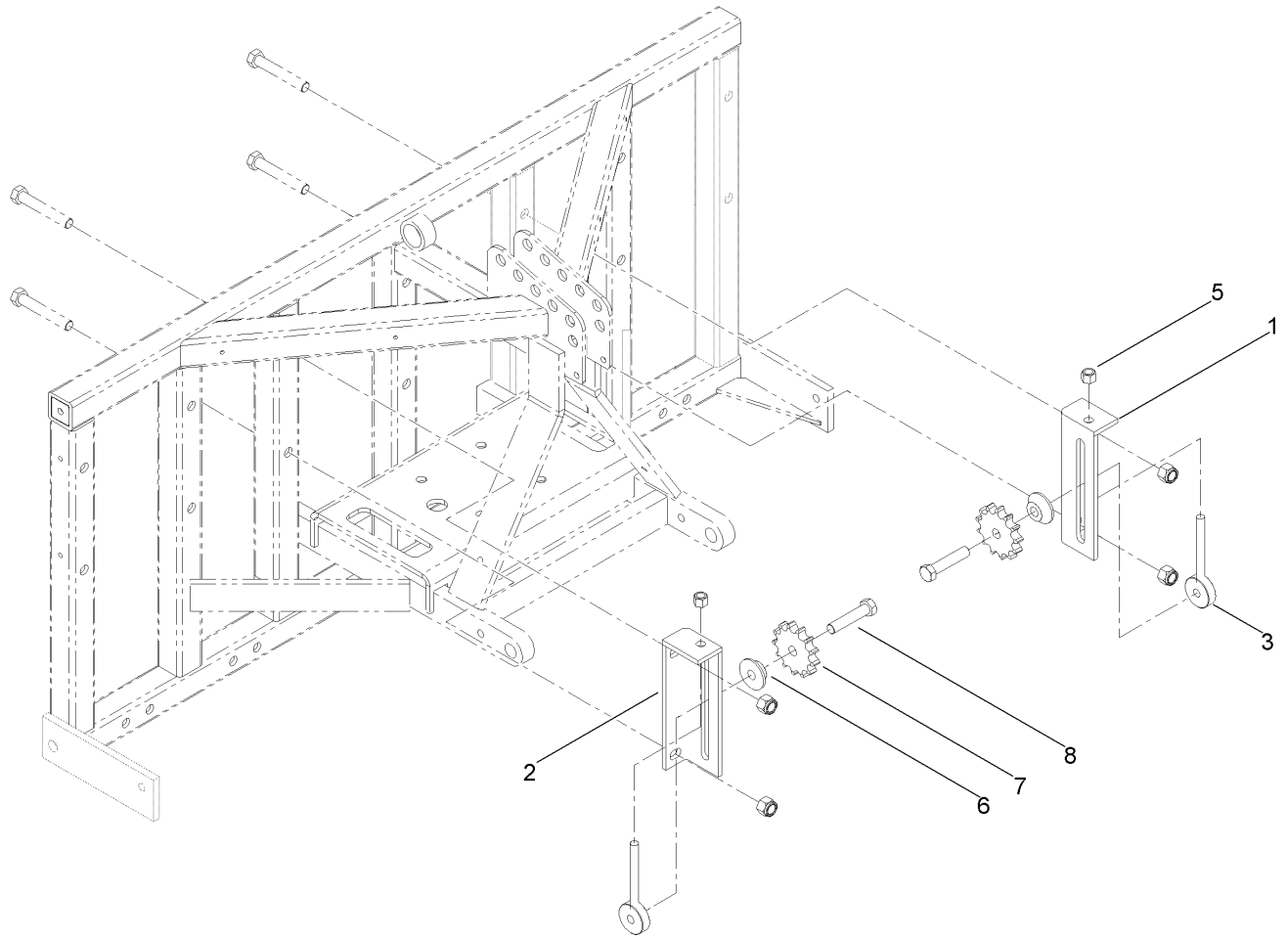
### Center Crankshaft Assembly

Ref	Part No.	Qty.	Description
2	SG217354	1	Crankshaft
3	SG204577	1	Bearing ASM
3:1		1	Bearing-Ball
3:1:1	99-0195	2	Screw-Set, HSH
3:3	SG427540	2	Ring-Snap
4	SG217154	1	Arm-Crank, Right
7	SG217054	1	Arm-Crank
9	SG267200	4	Nut-Hex
10	SG247540	2	Washer-Clipped
13	3296-53	2	Nut-Lock, NI
14	327-14	2	Screw-HH
18	105-1041	2	Pin-Spring

### RH Crankshaft Assembly

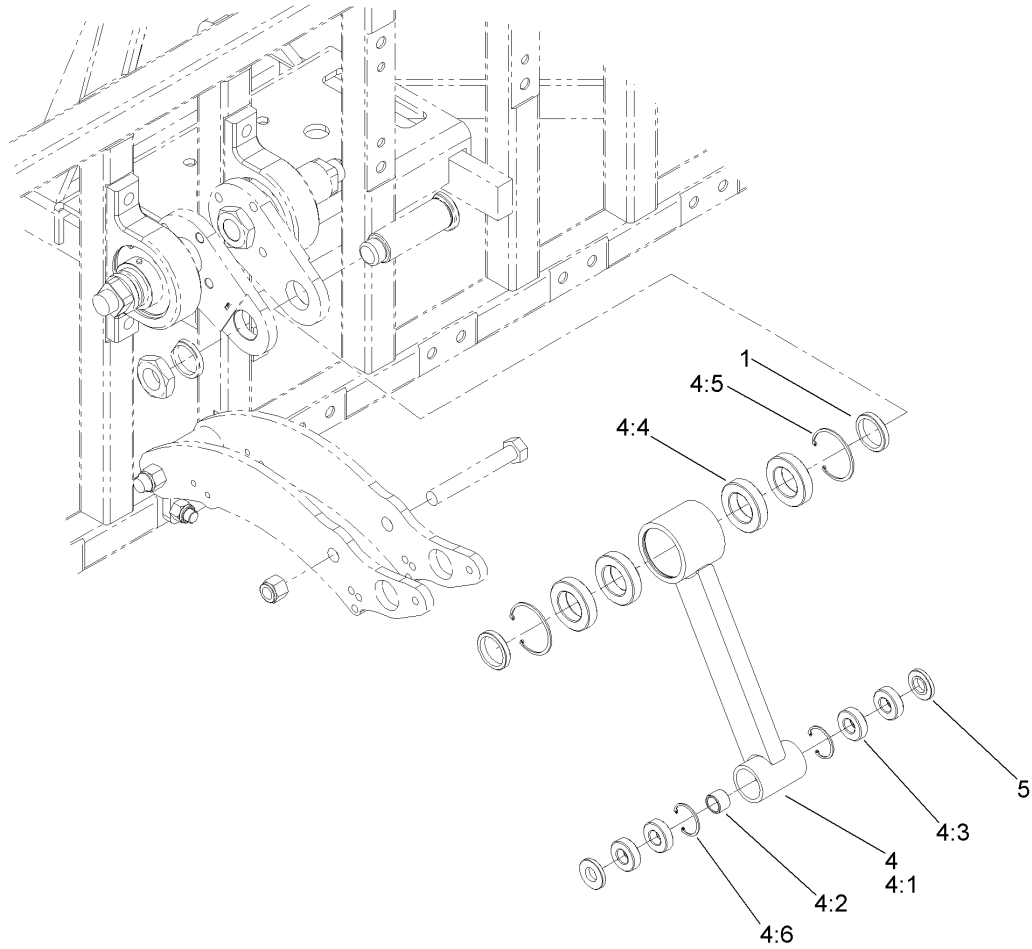
Ref	Part No.	Qty.	Description
2	SG217354	2	Crankshaft
3	SG204577	3	Bearing ASM
① 3:1		1	Bearing-Ball
3:1:1	99-0195	2	Screw-Set, HSH
3:3	SG427540	2	Ring-Snap
4	SG217154	2	Arm-Crank, Right
5	SG207054	1	Arm-Crank
7	SG217054	2	Arm-Crank
9	SG267200	7	Nut-Hex
10	SG247540	2	Washer-Clipped
12	SG257054	3	Pin-Crank
13	3296-53	6	Nut-Lock, NI
14	327-14	4	Screw-HH
15	SG217026	1	Sprocket-Crank
16	SG271517	4	Screw-HH
17	SG267500	4	Spacer
18	105-1041	6	Pin-Spring
19	327-16	2	Screw-HH
20	3253-7	4	Washer-Lock
21	SG217557	1	Shaft-Stub, Outside

### Idler Assembly

Ref	Part No.	Qty.	Description				
1	SG587054-03	1	Bracket-Idler				
2	SG597054-03	1	Bracket-Idler				
3	SG587202	2	Rod-Idler				
5	3296-23	2	Nut-Lock, NI				
6	SG537500	2	Spacer-Offset				
7	SG517054	2	Sprocket-Idler				
8	327-9	2	Screw-HH				

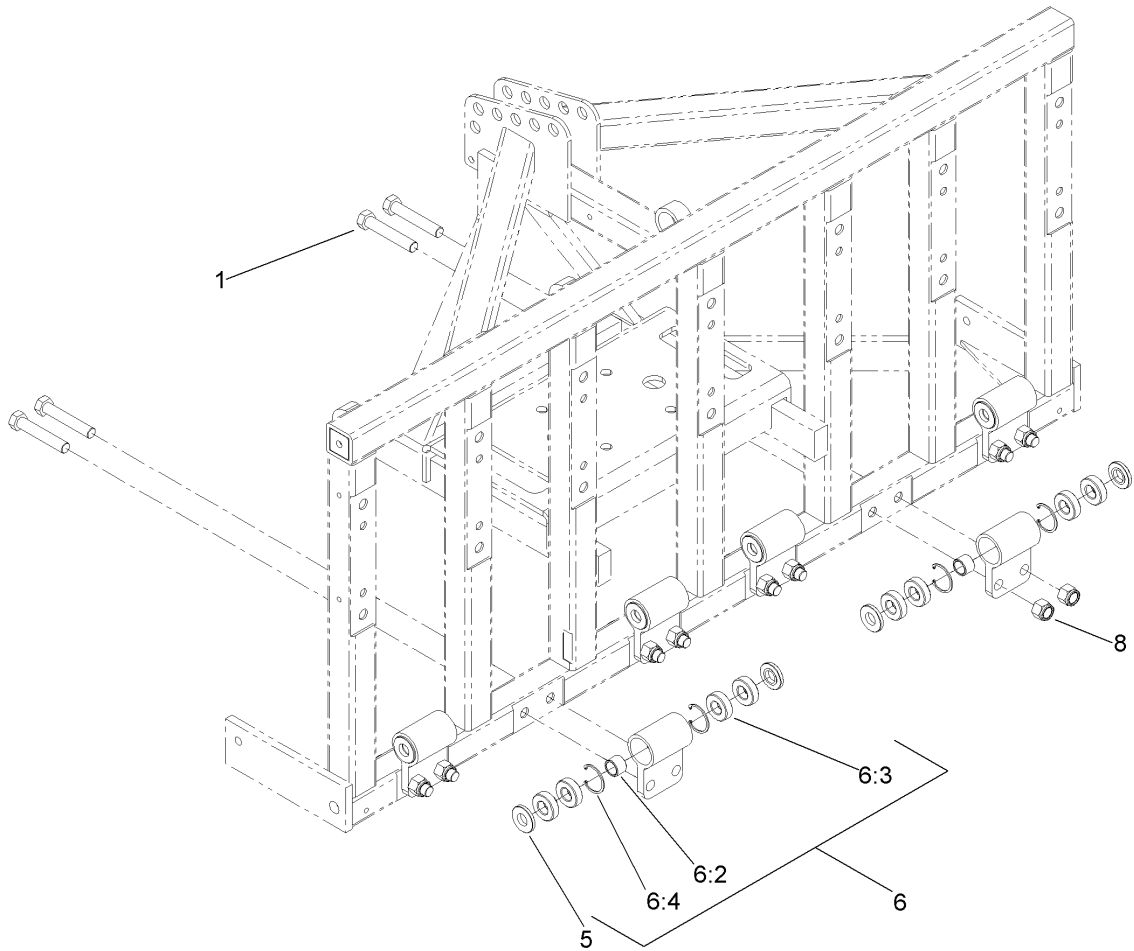




## Connecting Rod Assembly

Ref	Part No.	Qty.	Description
1	SG337100	12	Bushing-Outer
4	SG135154	6	Connecting Rod ASM
④4:1		1	Rod-Connecting
4:2	SG337010	1	Bushing-Inner
4:3	SG337075	4	Bearing-Ball
4:4	SG337590	4	Bearing-Ball
4:5	SG427541	2	Ring-Retaining, Internal
4:6	SG427625	2	Ring-Retaining, Internal
5	SG337050	12	Bushing-Outer

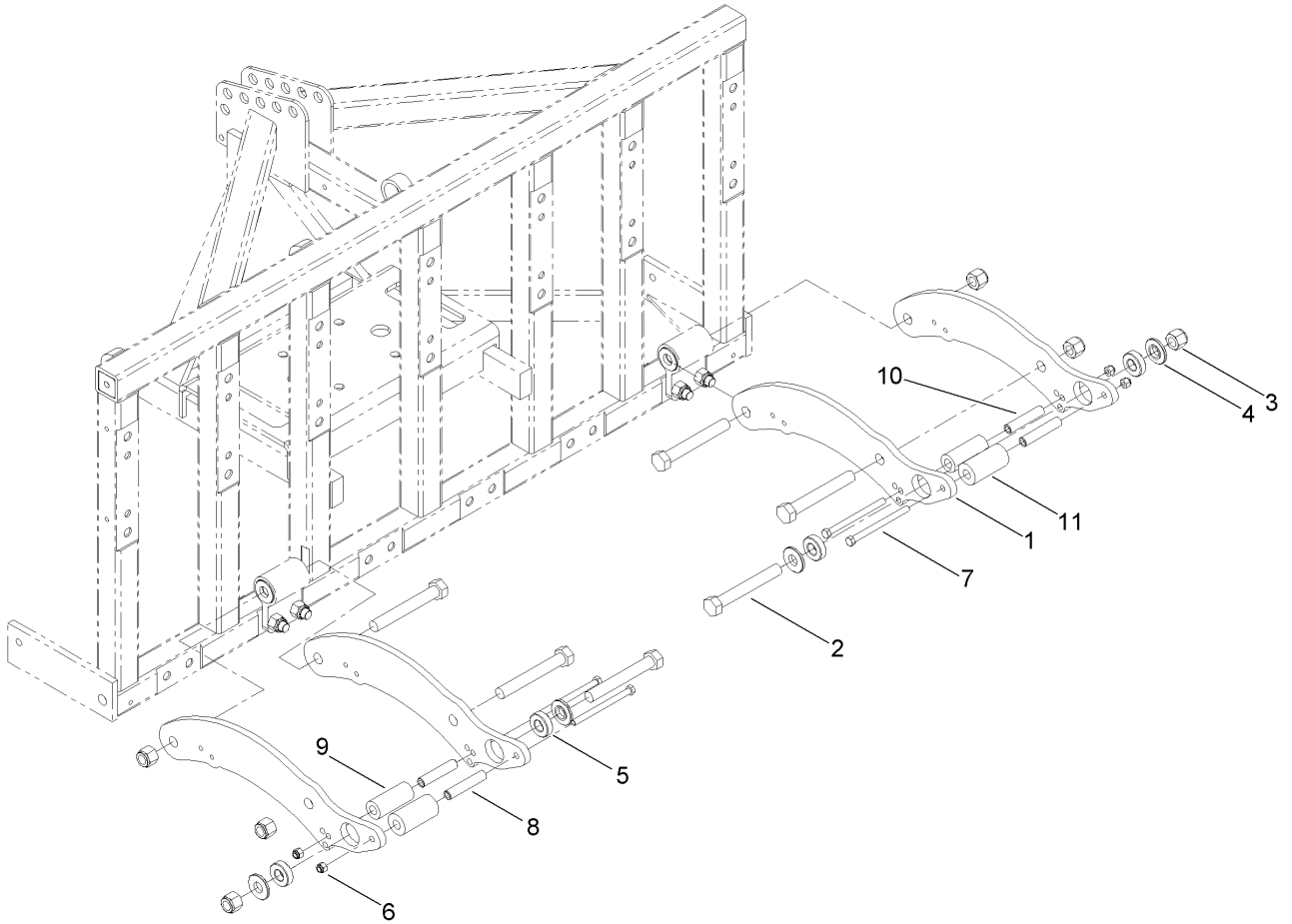
--	--	--	--



## Hinge Assembly

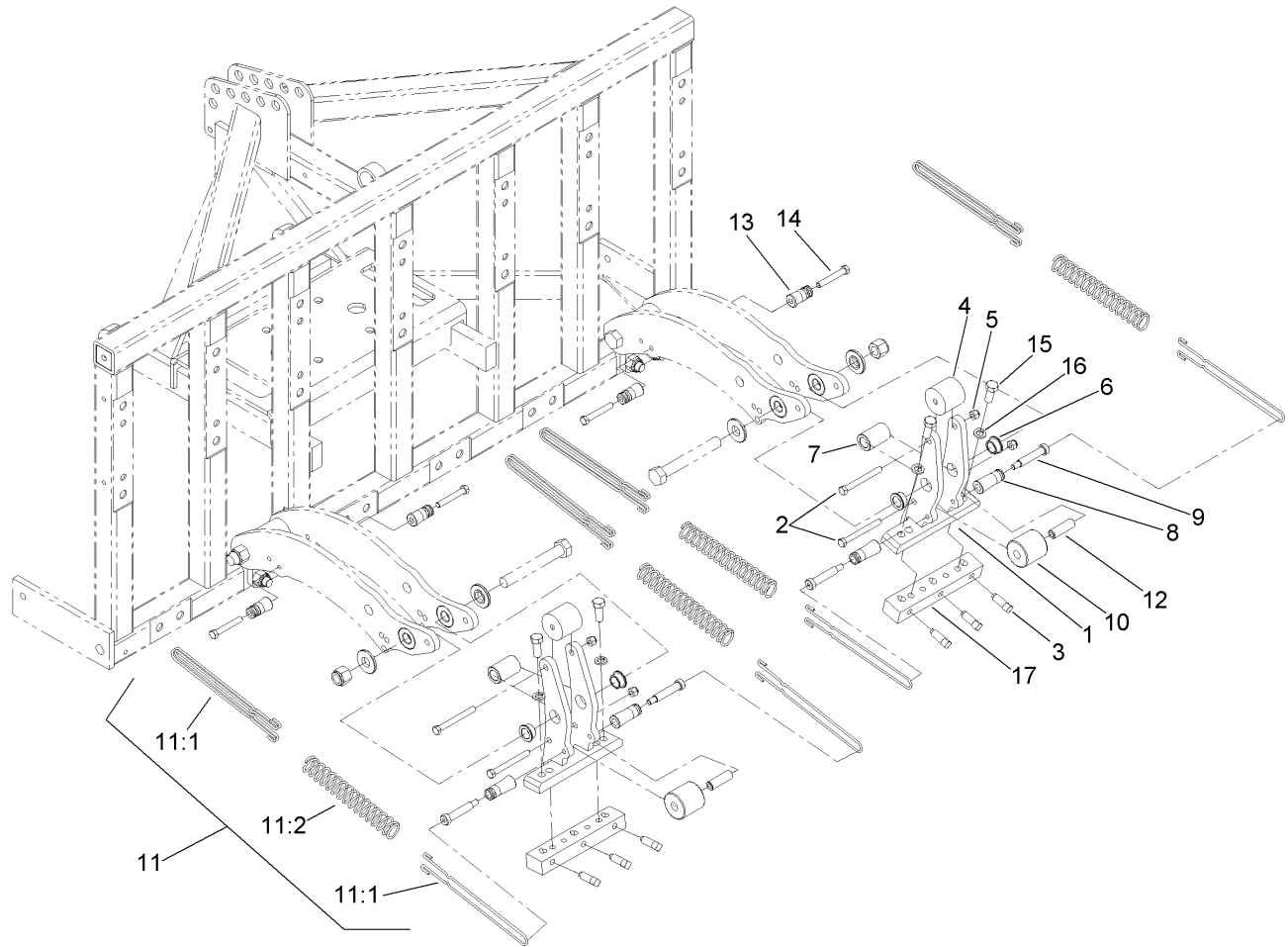
Ref	Part No.	Qty.	Description
1	327-14	12	Screw-HH
5	SG337050	12	Bushing-Outer
6	SG136354	6	Rear Spool ASM
6:2	SG337010	1	Bushing-Inner
6:3	SG337075	4	Bearing-Ball
6:4	SG427625	2	Ring-Retaining, Internal
8	3296-53	12	Nut-Lock, NI

--	--	--	--



## Linkage Arm Assembly

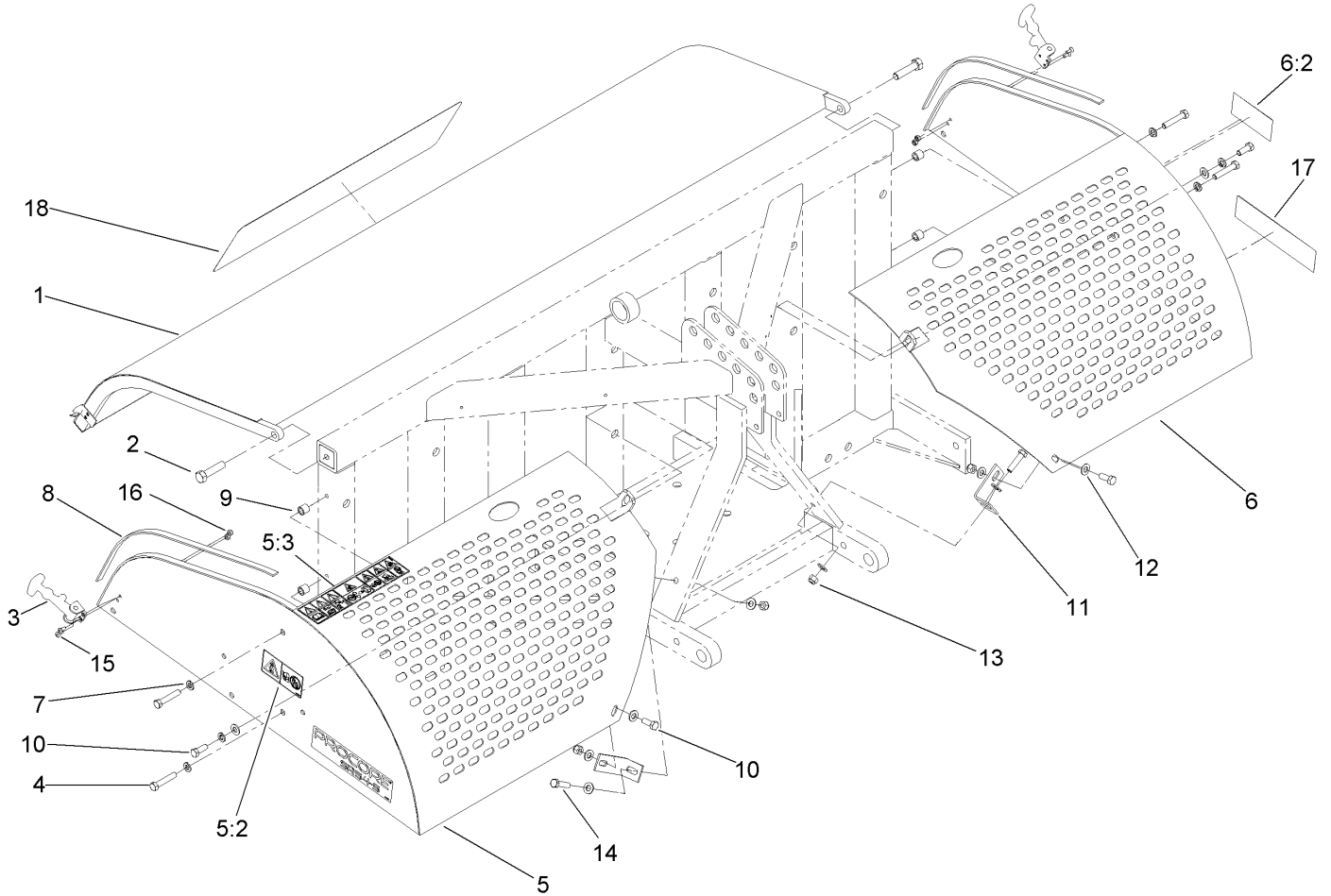
Ref	Part No.	Qty.	Description
1	SG387055-03	12	Arm-Linkage, Arched
2	328-12	18	Screw-HH
3	3296-51	18	Nut-Lock, NI
4	SG437125	12	Bushing-Outer
5	SG337075	12	Bearing-Ball
6	3296-39	12	Nut-Lock, NI
7	323-21	12	Screw-HH
8	SG337300	6	Spacer-Linkage
9	SG487125	6	Bumper-Rubber
10	SG486312	6	Spacer-Arm, Linkage
11	SG487126	6	Bumper-Rubber

## Head and Spring Assembly

Ref	Part No.	Qty.	Description
1	SG404070-03	6	Head-Tine
2	323-15	12	Screw-HH
3	SG477125	18	Screw-Set, SQH
4	SG487200	6	Bumper-Head
5	3296-39	12	Nut-Lock, NI
6	SG447080	12	Bushing-Flanged
7	SG437100-03	6	Spacer-Head
8	SG449127-03	12	Post-Spring
9	SG449129	12	Bolt-Shoulder
10	SG487201	6	Spacer-Plastic
11	SG148154	6	Spring ASM
11:1	SG487256	3	Wire-Draw, Spring
11:2	SG487257	1	Spring-Compression
12	SG486311	6	Tube-Metal, Head Bumper
13	SG449126-03	12	Post-Spring
14	323-12	12	Screw-HH
15	325-6	12	Screw-HH
16	3253-7	12	Washer-Lock
17	SGH08704-03	6	Head-Tine, Adapter

--	--	--	--



## Cover Assembly

Ref	Part No.	Qty.	Description
1	SG657054-03	1	Hood-Rear, Regular
2	SG271517	2	Screw-HH
3	SG650006	2	Strap-Hood
4	323-10	4	Screw-HH
5	117-7074	1	RH Screen ASM
5:2	117-7051	1	Decal-Danger, Keep Away Ce
5:3	117-7050	1	Decal-Warning, Ce
6	117-7075	1	LH Screen ASM
6:2	117-7051	1	Decal-Danger, Keep Away Ce
7	3253-21	6	Washer-Lock
8	SG483257	2	Strip-Foam
9	SG555052	4	Spacer
10	323-6	4	Screw-HH
11	SG678914-03	2	Clip-Screen
12	3256-24	10	Washer-Flat
13	3296-39	4	Nut-Lock, NI
14	323-8	2	Screw-HH
15	3274-29	4	Screw-HSFH
16	3296-2	4	Nut-Lock, NI
17	117-7084	2	Decal
18	117-7055	1	Decal


## NOTES

# NOTES

